

MDI 20/10 T4 0,25kW (300718700)

GENERAL DATA



MEDIUM PRESSURE FAN WITH FORWARD IMPELLER AND IN STAINLESS STEEL CONSTRUCTION

MANUFACTURING FEATURES:

- Welded stainless steel AISI 304 housing.
- Stainless steel simple inlet forward curved impeller.
- Standard asynchronous squirrel-cage motor with IP-55 protection and Class F insulation. Manufactured with standard voltages: 230V 50Hz for single phase motors, 230/400V 50Hz for three phase motors.

- Available positions (to be indicated in case of order): LG270, LG0, LG45, LG90, LG135, LG180, LG225, LG315, RD0, RD45, RD90, RD135, RD180, RD225, RD270, RD315.
- The indicated codes correspond to the model in position LG270.

APPLICATIONS:

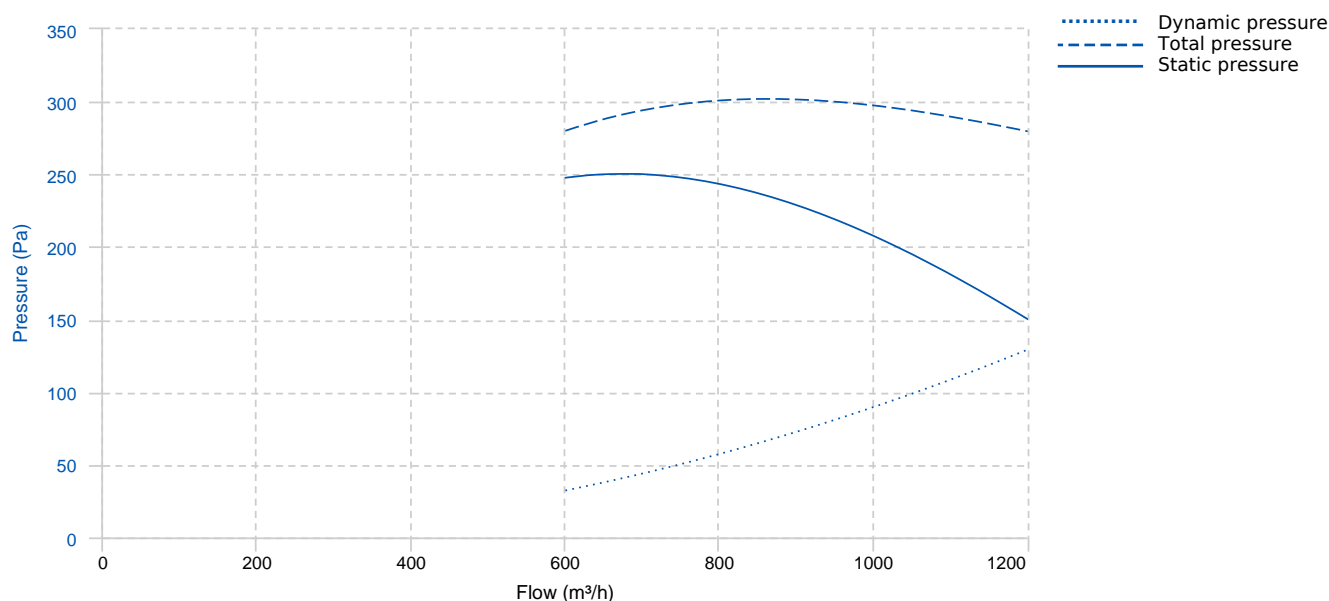
Designed for inline installation, they are suitable for:

- Industrial applications, extraction or injection of air.
- Cooling of machines and parts.
- Clean air transport.
- Corrosive air transport.
- Maximum working temperature: carried air: 130°C, ambient: 1ph 50°C, 3ph 60°C.

UNDER REQUEST:

- 60Hz fans and special voltages.
- 2 speed motors (three phase motors).

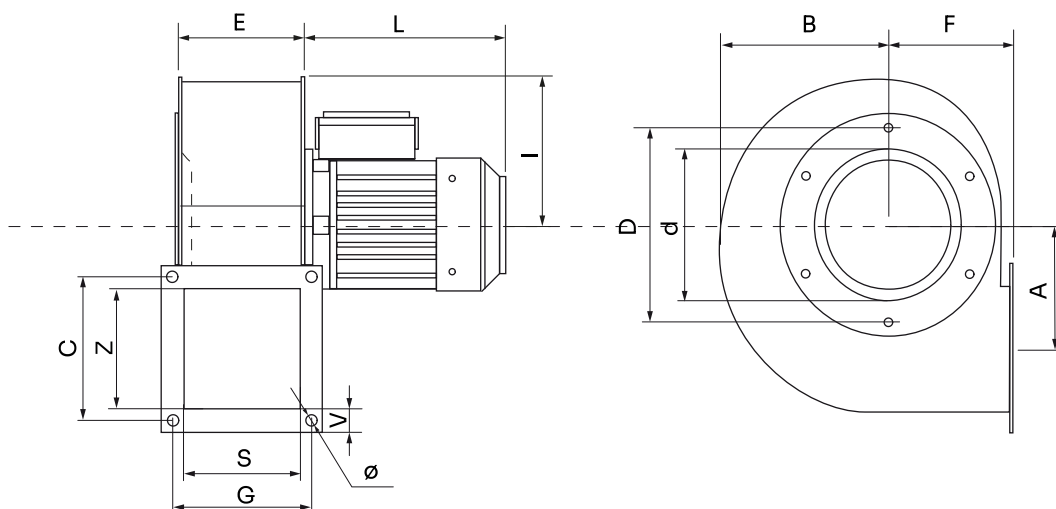
PERFORMANCE CURVE



TECHNICAL DATA

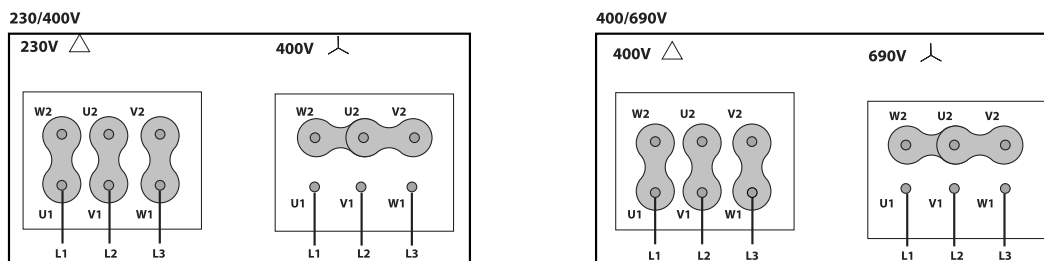
Fan							
RPM	1400	Approx. weight	11 kg	Max. Flow	1200 m ³ /h		
Motor							
Power	0,25 kW	RPM	1400	I max. (230V)	1,38 A	I max. (400V)	0,79 A
Size	71	Approx. weight	5.4 kg				

DIMENSIONS



Dimensions (mm)									
A	145	B	190	C	165	D	220	E	144
F	155	G	165	I	160	L	190	S	140
V	25	Z	140	d	170	Ø	9x16		

WIRING DIAGRAM



ACCESSORIES



SAFETY SWITCH
INT 25 3P A
REF: INT253PA



STAINLESS STEEL INLET PROTECTION GUARD
FOR CENTRIFUGAL FANS
RAI 20/10
REF: 300717102



FREQUENCY SPEED CONTROLLER
SFC 230 I 2,5A *
REF: SFC230I003



FREQUENCY SPEED CONTROLLER
SFC 400 III 1,2A *
REF: SFC400III1



ACOUSTIC CABINS FOR CENTRIFUGAL FANS
AB (GENERIC)

SPARE PARTS

	Code	Model	Qty
4	721001126	MOTOR 0,25kW T4 B5 230/400V	x1